



makeup

catalog

Where imagination becomes craft



Premium textile solutions
for hospitality and events
worldwide.

xmakeup

Index

- 4 Who we are?
- 6 Chair Covers
- 10 Cocktail Table Cloths
Covers
- 20 Skirting
- 22 Round Table Cloths
- 26 Rectangular &
Square Table Covers
- 30 Table Cloths
- 32 Beer Bench Cover Set
- 34 Customization



ECM MAKEUP *Textile*

ECM Makeup Textile is an international manufacturer specializing in textiles for events, hotels, and restaurants. With our production facilities in ECM Makeup Textile Turkey – Antalya and our European headquarters ECM Makeup Textile GmbH – Düsseldorf, we offer fast, reliable, and flexible service across a wide geographical area.

Our product portfolio includes a comprehensive range of stretch covers, banquet and conference textiles, skirting models, bistro table solutions, and restaurant linens. Every product is crafted with a focus on durability, long-term performance, ease of use, and a clean, elegant appearance. Thanks to our long-standing expertise, we deliver consistent quality that meets the high standards of professional event and hospitality environments.

One of our key strengths is our flexible production capability and fully customizable approach. We provide complete freedom in color, size, model, fabric type, and quantities—allowing us to serve both boutique events and large hotel chains with the same precision. Each request is handled with quick sampling options and short lead times, ensuring a smooth and efficient process from concept to delivery.

With our logistics network centered in Europe, we carry out regular shipments to Germany, the Netherlands, Belgium, France, Spain, and many other countries—delivering most orders within 1 to 2 weeks. This proximity enhances communication with our customers and enables us to manage delivery and after-sales processes efficiently.

Since the day we were founded, our mission has remained the same: To produce high-quality, modern, reliable textile solutions and to build strong, long-term partnerships with our clients.





Chair COVERS

There is nothing more exclusive than the ability to design your own chair covers at an affordable price point. ECM Makeup Textile specializes in bespoke solutions, crafting tailor-made covers that align perfectly with your vision. Through our innovative and forward-thinking approach, we strive to add distinct value and a one-of-a-kind atmosphere to every event.

While our catalog showcases a wide range of standard models, we pride ourselves on our flexibility; we can realize custom productions based on the specific dimensions and requirements you provide.

ECM Makeup Textiles sets itself apart in the industry by continuously evolving with new designs and offering a diverse range of premium fabrics. With our extensive palette of colors and materials, we are fully equipped to bring your creative requirements to life.



Chair COVERS



AURA FIT



ELEGANCE SOFT



HARMONY FIT



MINIMAL SOFT



ZENITH SOFT

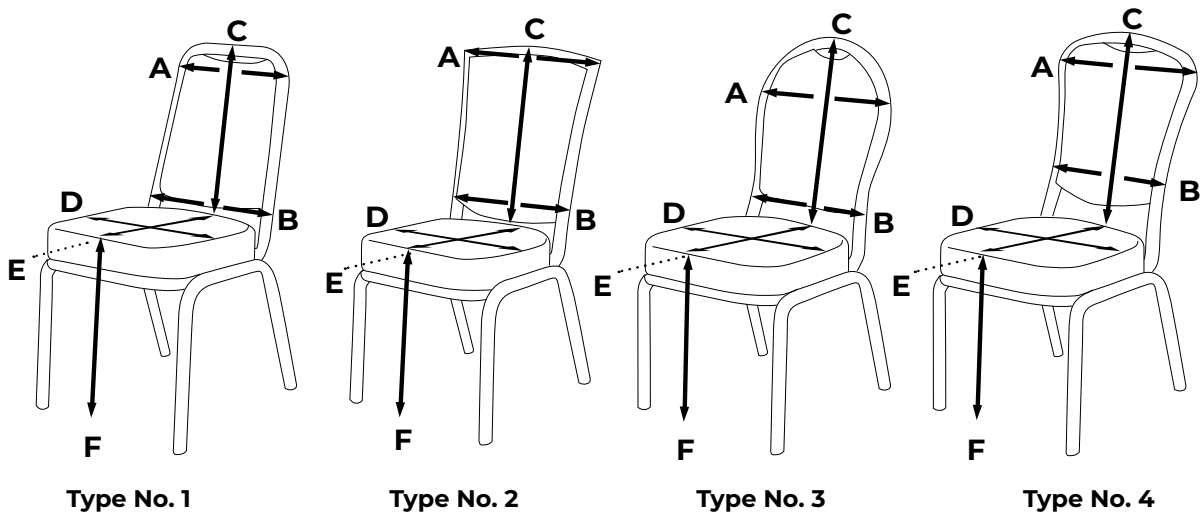


SERENITY SOFT



Design Your Own Chair Cover – Perfectly Tailored to Your Chair

1. Select the model that most closely resembles your chair.
2. Provide the specific dimensions requested in the section below.
3. Send us clear photographs of your chair from the front, side, and back, captured from various angles.
4. Choose your preferred style from the options shown on previous pages.
5. Select your fabric and color.
6. Indicate the required quantity so we can provide you with our most competitive pricing.



Type No:

- A) Upper backrest width: cm
- B) Lower backrest width: cm
- C) Backrest height: cm
- D) Seat width: cm
- E) Seat depth: cm
- F) Seat height (from top of seat to floor): cm



Cocktail Table

CLOTHS COVERS

Standing table covers are the foundation of a polished presentation for any event. ECM Makeup Textiles provides the finest and most elegant solutions for your high-top tables. Our collection includes stretch covers for a modern, futuristic look, as well as classic options for those seeking a more luxurious aesthetic. We offer these covers in both solid colors and custom-printed designs.

Because every standing table can vary slightly in size and shape, we offer bespoke covers with a perfect fit to ensure the exact atmosphere you envision for your events. Additionally, we maintain a selection of standard covers designed to fit various table types universally.

ECM Makeup Textiles offers an extensive range of fabrics and colors, meticulously curated to meet the specific decorative requirements of our clients.



Cocktail Table

CLOTHS COVERS



BERLIN

Simple with bow



TOSCANA

Leg attachment with bow



PALERMO

Square drape with bow





Cocktail Table

CLOTHS COVERS



PARIS BOX
Straight model



PARIS PLEAT
With 4 pleats



PARIS SPLIT
4-Slit design



POMPEI
200%
Accordion pleat



SORRENTO
200%
Box pleat



TABLECLOTH
Full-length drop
(Available in custom sizes with
a tailored drop)



Cocktail Table

CLOTHS COVERS



AMSTERDAM

180%
Plissé drape with bow detail



VERONA

200%
Accordion pleat with bow detail



FLOW

Wave Pleat



TOKIO

Reinforced leg pockets with
stretch fabric
(With or without top cover)

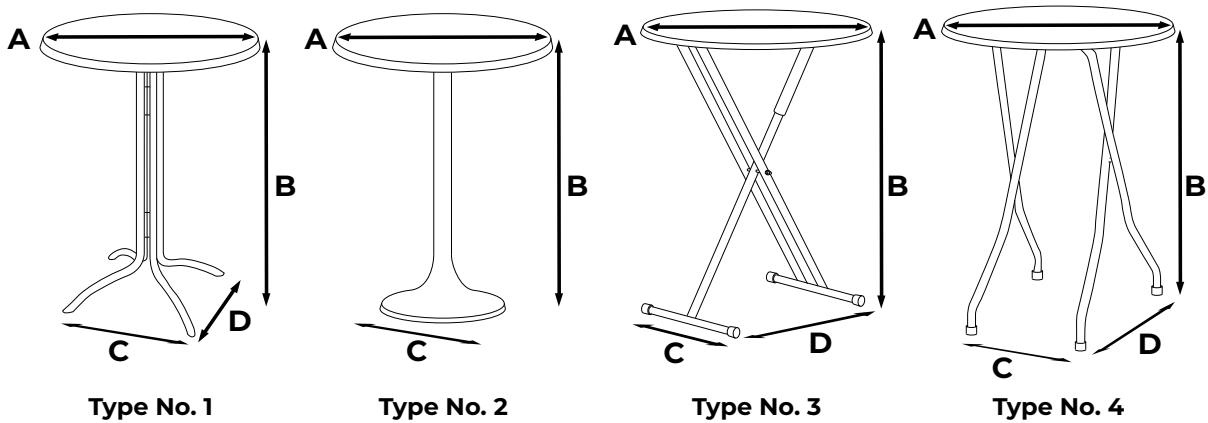


Cocktail Table

CLOTHS COVERS

Design Your Own Standing Table Cover – Perfectly Tailored to Your Table

1. Select the standing table that most closely resembles your model.
2. Provide the specific dimensions requested in the section below.
3. Send us clear photographs of your standing table.
4. Choose your preferred style from the options shown on previous pages.
5. Select your fabric and color.
6. Indicate the required quantity so we can provide you with our most competitive pricing.



Type No:

A) Diameter of the tabletop: cm

B) Height of the table: cm

C) Width / Diameter of the legs: cm

D) Depth of the legs: cm



Skirting

We offer the best options for dressing tables to ensure an effective and elegant appearance for your events. Our table and stage skirts are available in 5 different pleat types: Non-pleated, Plissé, Accordion, Box pleat, and Diamond. All pleat types are available in any desired size and dimension. ECM Makeup Textiles offers a wide range of fabrics and colors to meet the specific decoration requirements of our customers.



Skirting



WITHOUT PLEAT

100%: Non-pleated



PLISSÉ

180%: Plisse Pleat sewn-in tabletop.
Custom-made to fit the table



ACCORDION PLEAT

200%: Accordion Pleat sewn-in tabletop.
Custom-made to fit the table

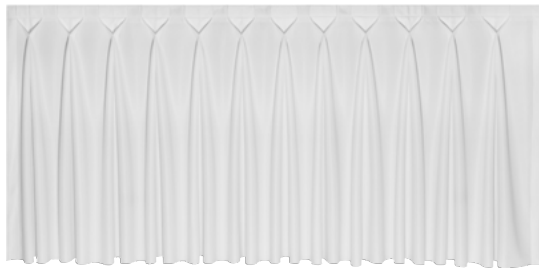


Skirting



BOX PLEAT

250%: Boxpleat sewn-in tabletop. Custom-made to fit the table



DIAMOND PLEAT

250%: Diamond Pleat sewn-in tabletop. Custom-made to fit the table





Round Table

CLOTHS



PARIS BOX

Straight model. Custom-made to fit the table



PARIS PLEAT

4 pleats. Custom-made to fit the table



PARIS SPLIT

4 slits. Custom-made to fit the table



TABLECLOTH

Full-length drop (Available in custom sizes with a tailored drop)



PLISSÉ

180%: Plisse Pleat sewn-in tabletop. Custom-made to fit the table



ACCORDION

200%: Accordion Pleat sewn-in tabletop. Custom-made to fit the table

Round Table

CLOTHS



BOXPLEAT

250%: Boxpleat sewn-in tabletop.
Custom-made to fit the table



DIAMOND

250%: Diamond Pleat sewn-in tabletop.
Custom-made to fit the table





Round Table

CLOTHS



STRETCH ROUND TABLECOVER

With leg attachments. Custom-made to fit the table



STRETCH ROUND TABLECOVER 3-SIDED

Closed at the front.
Open at the back with leg attachments



FLOW

With wave skirt. Custom-made to fit the table



Rectangular & Square Table COVERS



PARIS BOX

Straight model. Custom-made to fit the table



PARIS PLEAT

4 pleats. Custom-made to fit the table



PARIS SPLIT

4 slits. Custom-made to fit the table



TABLECLOTH

Full-length drop
(Available in custom sizes with a tailored drop)



PLISSÉ

180%: Plisse Pleat sewn-in tabletop.
Custom-made to fit the table



ACCORDION

200%: Accordion Pleat sewn-in tabletop.
Custom-made to fit the table

Rectangular & Square Table COVERS



BOXPLEAT

250%: Boxpleat sewn-in tabletop.
Custom-made to fit the table



DIAMOND

250%: Diamond Pleat sewn-in tabletop.
Custom-made to fit the table



STRETCH RECTANGULAR TABLECOVER

With leg attachments. Custom-made to fit the table



FLOW

With wave skirt. Custom-made to fit the table

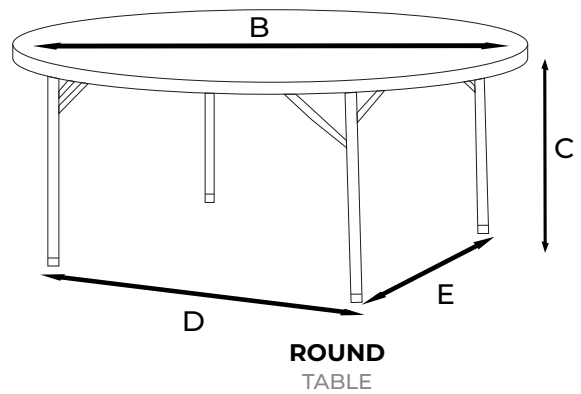
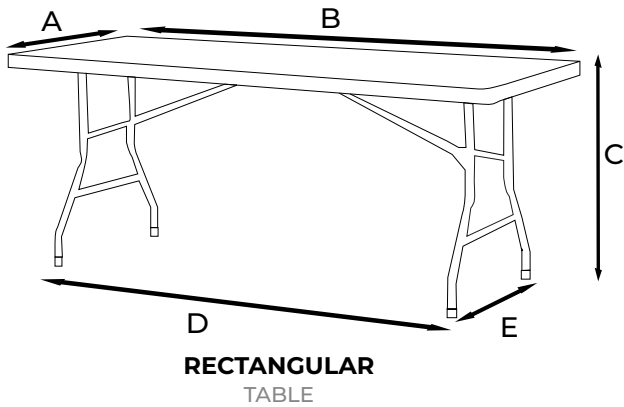


Rectangular & Square Table

COVERS

Design your table cover – perfectly custom-made for your table.

1. Select the shape of your table.
2. Fill in the requested dimensions below in detail.
3. Send us clear photos of your table.
4. Select your desired model from previous pages.
5. Select the desired fabric and color.
6. Specify the desired quantity so we can provide you with the best price.



Model:

A) Width of the tabletop: cm

B) Length / Diameter of the tabletop: cm

C) Height of the table: cm

D) Distance between the legs (lengthwise): cm

E) Distance between the legs (widthwise): cm



Table Cloths

Conference cloths and covers are the leading products for completing a corporate event. ECM Makeup Textiles offers a wide choice of colors and fabrics. We provide various printing and embroidery options to personalize your customer's event.



MONACO BOX

Front: plain without pleats or slits
Sides: folded 15 cm towards the back
Back overhang: 15 cm



MONACO PLEAT

Front: 2 corner pleats
Sides: folded 15 cm towards the back
Back overhang: 15 cm



MONACO SPLIT

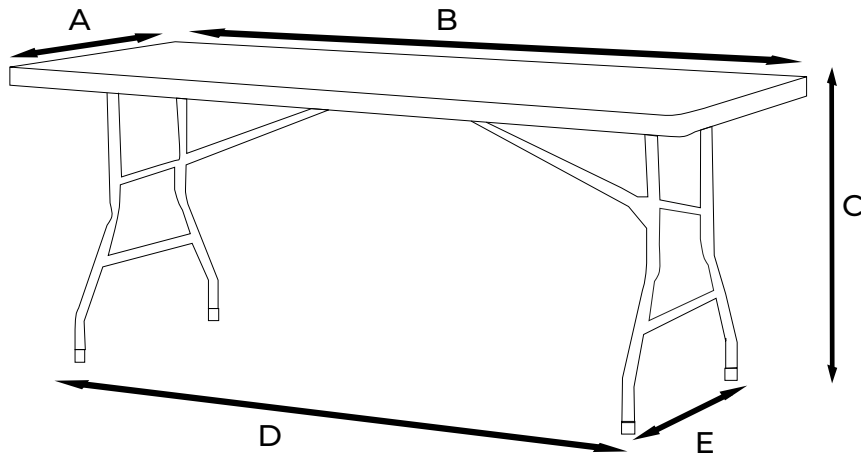
Front: 2 corner slits
Sides: folded 15 cm towards the back
Back overhang: 15 cm



Table Cloths

Design your table cover – perfectly custom-made for your table.

1. Fill in the requested dimensions below in detail.
2. Send us clear photos of your table.
3. Select your desired model from previous pages.
4. Select the desired fabric and color.
5. Specify the desired quantity so we can provide you with the best price.



Model:

A) Width of the tabletop: cm

B) Length / Diameter of the tabletop: cm

C) Height of the table: cm

D) Distance between the legs (lengthwise): cm

E) Distance between the legs (widthwise): cm



Beer Bench Cover Set

The perfect way to decorate or cover your beer tables! Models are available in a wide range of colors and fabric types, as well as various designs. Our standard model is 220 x 50 x 70 cm (table) and 220 x 25 x 50 cm (bench), but any size can be manufactured thanks to our custom-made production.



PRIME-FIT



STRETCH-FIT



Customization

Personalize your product with embroidery or printing. Embroidery is common for conferences. We can embroider logos or requested images.

CUSTOM EMBROIDERY



Customization

Logos and all-over prints can be applied using the sublimation method, which offers a wash guarantee and stretches along with the fabric. Any all-over designs, logos, or high-resolution images can be printed on the product.

LOGO PRINT



ALL-OVER PRINT





Katie
GABRIEL

Katie and Andrew
MENU

starter
CAESAR SALAD WITH PARMESAN CHEESE
"EVERYTHING" CROUTONS AND
HOUSEMADE CAESAR DRESSING
POGACCIA BREAD WITH FRESH ROSEMARY
AND BLACK SEA SALT

main
SEARED CHICKEN BREAST
WITH TRUFFLE MUSHROOM SAUCE
SMOKED MASHED POTATOES
CARMELIZED BRUSSELS SPROUTS

dessert
WEDDING CAKE

THANK YOU
We want to thank each of you for attending this special day. You have had a great impact in our lives and we are very grateful for each of you. We hope you enjoy the memories we will make today and we look forward to the ones we share for years to come.
All our love, Katie and Andrew



makeup

makeuptextile.com